

ACE VENTILATION

7/11 ELIZABETH STREET CAMPSIE NSW 2194

PHONE: (02) 9787 2533

ABN: 88 088 794 003

EMAIL: enquiries@aceventilation.com.au



Electrostatic Precipitator

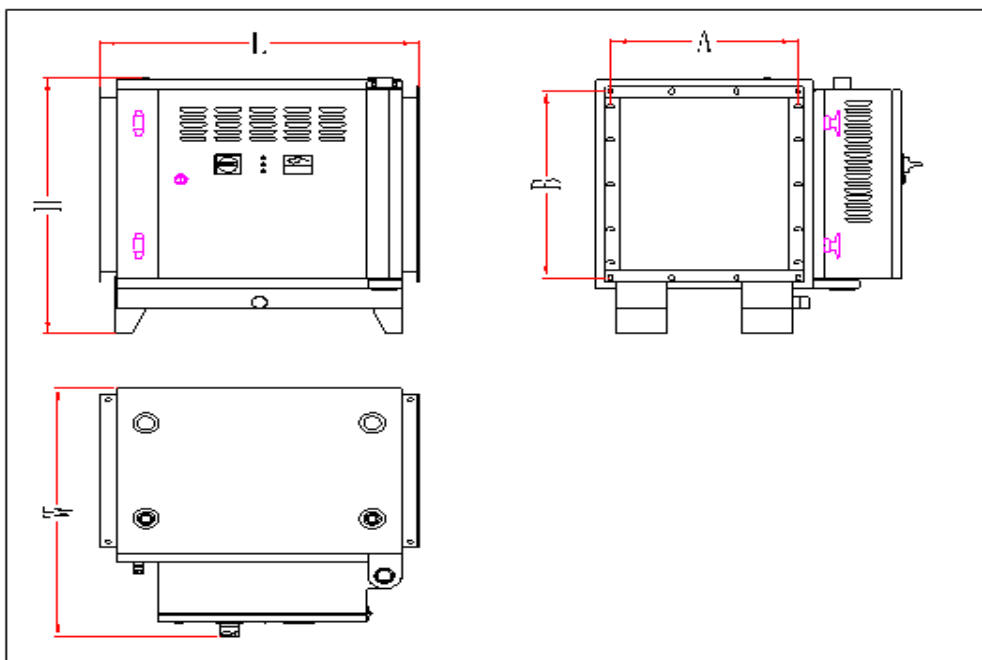
Model: BS-216Q-2K

Perfect Solution to Kitchen Exhaust Fume

Cabinet	1.5mm A3 Steel Sheet	Cell/Each	L: 487.5mm, W:483.4mm, H: 240mm
Finishing	Epoxy Powder Coated,Blue and Yellow		Ionizing voltage: 14KVdc-16KVdc
Air Volume	2000cmh		Uses 1 Patented Cylindrical Honeycomb Structure
Air Flow	Left to Right, Right to Left		Filter Cells
Static Pressure	130 Pascal	Efficiency	More than 85%.
Features	High-performance Power Pack	Weight	72.5Kg
	Soft Startup, Short Circuit Protection		Power cons 400 Watts
	Invariable Current Output	Input Volt:	220Vac+/-10%, 50 Hz
	Transformer Over-heated Production	Pre-filter	Steel, Washable
	Power Over Loading Protection	Installation	Ceiling suspended, wall or frame mounted.
	Malfunction Diagnosis	Options	Remote on/off switch, indicator lights.
	Transformer Over-heated Production	Controls	Auto cut-off when door is opened. Indicator
	Arc Extinction and Auto Reposition		lights for fault, normal or cleaning requirements.

DIMENSIONS: L*W*H: 735×750×773 mm

A*B: 431×564 mm



ACE VENTILATION

7/11 ELIZABETH STREET CAMPSIE NSW 2194

PHONE: (02) 9787 2533

ABN: 88 088 794 003

EMAIL: enquiries@aceventilation.com.au

ELECTROSTATIC FILTERS

ELECTROSTATIC FILTER SPECIFICATION

AIR POLLUTION CONTROL SYSTEM DESIGNED FOR FOOD PREMISES TO ELIMINATE POLLUTION AND ODOUR
IN LOW ALTITUDE EMISSIONS

DIMENSIONS: 735mm L X 750mm W X 773mm H

WEIGHT : 75kg

- Colour: dark blue and yellow
- Design: Modular
- Purification Efficiency: more than 85%
- Cabinet: A3 mild steel
- Option: Auto-cleaning device
- Function: Fume Filter for Commercial Kitchen
- Type: Electrostatic Precipitators (ESP)
- Applications: Hotels, commercial kitchens etc.



MODEL: BS-216Q-2K

FOR CHARCOAL & CHAR-GRILL COOKING CONSULT OUR ENGINEER FOR CORRECT SIZING AND ALSO IF THE AIR VOLUME REQUIRED IS HIGHER THAN 3400L/s.

